



Manual Type 1.0.0.9-RF
HoloVision VIO(cr) and VIO(sip) Unit

For Models _____



**INSTALLATION
INSTRUCTIONS**

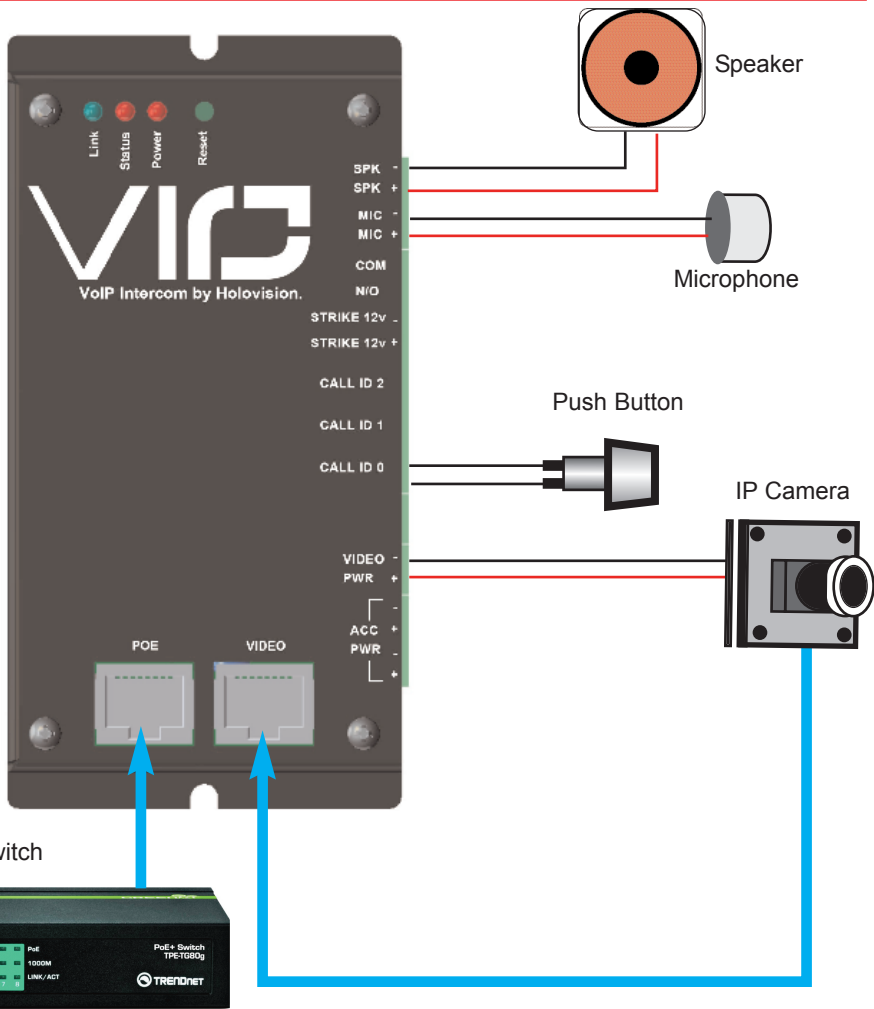
Specifications

Communication

HoloVision VIO(cr) VoIP Intercom for integration with Crestron RAVA SIP or SIP enabled VoIP intercom

Access Control

None



501 E. Goetz Ave.
Santa Ana, Ca 92707

www.eholovision.com

Ph. 714-434-6904
Fax 800-362-0002

HOLOVISION

VIO(sip) QUICK START

1. Plug the device into network. Device will speak its IP.
2. Navigate to device IP on web browser.
3. Under Configuration please enter the required SIP settings

HOME	CONFIGURATION	STATUS	DEFAULTS	UPDATE	REBOOT
------	---------------	--------	----------	--------	--------

SIP CLIENT

SIP Door Station

Basic Settings
Advanced Settings

Apply Cancel

BASIC SETTINGS

SIP PROTOCOL SETTINGS

Peer to Peer No Yes

SIP Server (PBX)

SIP ID (username)

SIP Password (secret)

SIP Display Name

OUTBOUND CALL SETTINGS

Call on Device Inputs

Input 0 Call ID

Input 1 Call ID

Input 2 Call ID

INBOUND CALLS

Phone pickup mode

Pick/hang up time seconds

4. Configure the audio settings.. Although full duplex and half duplex are an option, these settings do not perform best in all scenarios. As a recommendation you can experiment for the best audio settings. **AUDIO SETTINGS BELOW ARE ONLY A RECOMENDATION**

HOME	CONFIGURATION	STATUS	DEFAULTS	UPDATE	REBOOT
------	---------------	--------	----------	--------	--------

SIP CLIENT

SIP Door Station

Basic Settings
Advanced Settings
Network
SIP Protocol
Outbound Calls
Inbound Calls
Audio
Security

Apply Cancel

AUDIO SETTINGS

Encoding

Volume %

Microphone Gain dB

A/D Amplifier Gain dB

Acoustic Echo Cancellation Off On

Talk Mode FDx HDx

Output Trigger Level

Trigger Level Timeout ms

AI Phone Support Yes No

- Configure the relay settings under inbound calls. Configure the powered relay and also the dry contact closure; chose any 2 to 4 digit code.
Note: By configuring the request to exit feature. You can trigger either relay 1 or 2 by doing so.
- Once the device has been configured you can initiate the call by pressing on the button.

SIP Door Station

- Basic Settings
- Advanced Settings**
- Network
- SIP Protocol
- Outbound Calls
- Inbound Calls**
- Audio
- Security

Apply Cancel

INBOUND CALLS

Input Buffer Level ms

Stream Timeout minutes

Beep on Call Answer Off On

Power Door Relay Control

Door Open Code

Open Door Relay for seconds

Relay Number to Enable at Call Answer

Switched Door Relay Control

Door Open Code

Open Door Relay for seconds

Relay Number to Enable at Call Answer

Request To Exit Call ID 2

VIO(cr) RAVA SIP Quick Start

1. Plug the device into the network. Device will speak it's IP address.
2. Navigate to device IP on a web browser.
3. Under "Configuration" please enter SIP ID for the name to be displayed, and enter the extension of the Main RAVA Touchscreen under "Input Call ID 0 Default is CALL:CRESTRON"

HOME	PROFILES	CONFIGURATION	STATUS	DEFAULTS
------	----------	---------------	--------	----------

RAVA-SIP™ CLIENT V2.12D(08 Apr 2013)

SIP Door Station

BASIC SETTINGS

Basic Settings
Advanced Settings

Apply Cancel

SIP PROTOCOL SETTINGS

Peer to Peer No Yes

SIP ID (username)

OUTBOUND CALL SETTINGS

Call on Device Inputs

Input 0 Call ID

*Note out of the box the "CALL:CRESTRON" default will ring all touchpanels in the CRESTRON call group.

4. Configure the Audio settings. Note:RAVA Operation has been designated to "Push to Talk" (PTT) from Crestron and only this operation will be supported. Although full duplex and half duplex are an option, these settings do not perform best in all scenarios. As a recommendation you can experiment for the best audio settings.

AUDIO SETTING BELOW ARE ONLY A RECOMMENDATION

HOME	PROFILES	CONFIGURATION	STATUS	DEFAULTS	UPDA
------	----------	---------------	--------	----------	------

RAVA-SIP™ CLIENT V2.12D(08 Apr 2013)

SIP Door Station

AUDIO SETTINGS

Basic Settings
Advanced Settings
Network
SIP Protocol
Outbound Calls
Inbound Calls
Audio
Control Interfaces
Security

Apply Cancel

Input Source Line Mic

Encoding

Volume %

Microphone Gain dB

A/D Amplifier Gain dB

Acoustic Echo Cancellation Off On

Talk Mode FDX HDX

Output Trigger Level

Trigger Level Timeout ms

5. Configure the relay setting under “Inbound Calls”. Configure the powered relay and the dry contact closure. Choose any 2 to 4 digit combination

Note; By configuring the request to exit feature you can configure for either relay.

6. Once the device has been configured you can initiate the call by pressing the button

SIP Door Station

- Basic Settings
- Advanced Settings**
- Network
- SIP Protocol
- Outbound Calls
- Inbound Calls**
- Audio
- Security

Apply Cancel

INBOUND CALLS

Input Buffer Level	<input type="text" value="100"/>	ms
Stream Timeout	<input type="text" value="0"/>	minutes
Beep on Call Answer	<input checked="" type="radio"/> Off <input type="radio"/> On	
<i>Power Door Relay Control</i>		
Door Open Code	<input type="text" value="11"/>	
Open Door Relay for	<input type="text" value="5"/>	seconds
Relay Number to Enable at Call Answer	<input type="text" value="disabled"/>	
<i>Switched Door Relay Control</i>		
Door Open Code	<input type="text" value="B£ALL"/>	
Open Door Relay for	<input type="text" value="1"/>	seconds
Relay Number to Enable at Call Answer	<input type="text" value="disabled"/>	
Request To Exit Call ID 2	<input type="text" value="-----"/>	



www.eholovision.com

**501 E. Goetz Ave.
Santa Ana, Ca 92707**

**Ph. 714-434-6904
Fax 800-362-0002**